


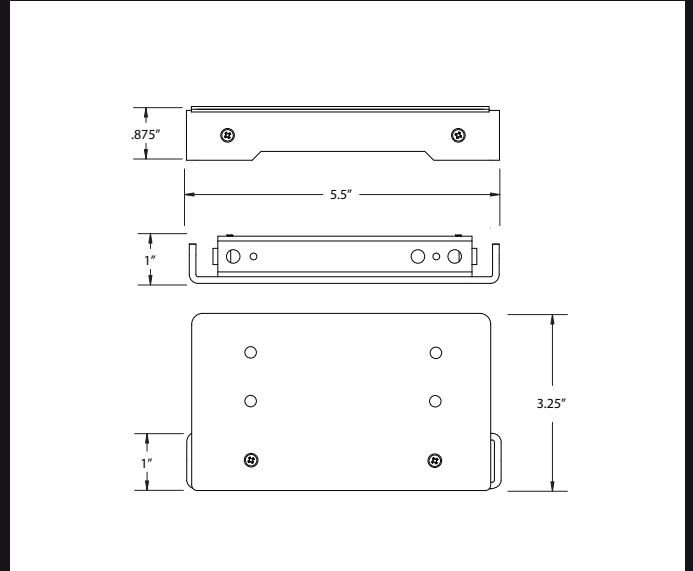


TURIN | 12V Solid Deck Light

Project Name: _____ Date: _____

Fixture Type: _____ Quantity: _____

Lamps: _____ Plan Symbol: 



FEATURES

- Includes Mounting Hardware
- Pre-Greased, Beryllium Copper Socket
- Wire Lead - 25 Feet 18AWG SPT-1
- Solid Stainless Steel & Copper Construction
- Lifetime Warranty
- Surface Mounting Plate for Easy Installation

OPTIONAL ACCESSORIES

- Dadoed Wood Slats (CL-DW4)
- Wide Range of Bi-Pin Lamps & LEDs
- See website for details.

Models:
DL4-II
DL4-III

QUICK SPECS

- BODY:** Manufactured from stainless steel and brass/copper
- LENS:** Frosted tempered glass lens
- FINISHES:** Antique Brass, Copper and custom colors are available.
- SHROUD:** Copper cover plate with machine screws on each side of the luminaire for easy relamping and servicing
- LAMP:** Use with a halogen lamp up 20W G4 bi-pin lamp; LED bi-pin lamps are available.
- ELECTRICAL REQUIREMENTS:** Remote 12V transformer required (can be ordered separately from ClaroLux). Recommended voltage range: 10.8V-12V.
- LAMP CONNECTION:** Specification grade, beryllium copper lamp holder. GU5.3 base
- MOUNTING HARDWARE:** Mounting hardware, screws, weather strip and anchors
- DADOED WOOD SLATS:** For use when mounting luminaires on wood surfaces. Treated, 48" wood slats with pre-drilled mounting holes.
- WIRING:** 25ft of 18AWG UL Listed, copper wire protected by Black PVC.