

AR-11

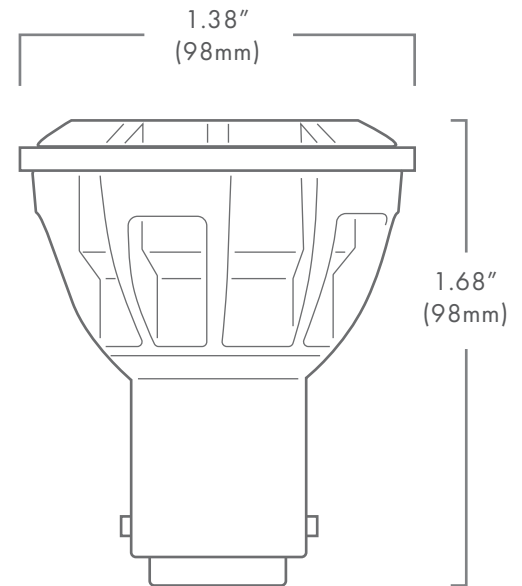
DESCRIPTION:

The Brilliance LED AR-11 Double Contact Bayonet has been redesigned to better fit into standard, low voltage, AR-11 fixtures. These LED's are thermally engineered to operate in enclosed fixtures and provide added security by automatically cooling down (and reducing lumens output) only when exposed to extreme heat (air temperatures above 125°F). In addition, there is no color shift when lumens output is reduced, and the overall lamp life is improved.

FEATURES:

- Dimmable with most magnetic transformers
- Enhanced ESD (Electro-Static Discharge) Protection (IEC-61000-4-2)
- Heat Overload Protection Technology
- Fully potted PC board

Wattage	2
Lumens	120
Beam Spread	15°, 30°, 60°
Kelvin Temperature	2200,2700,3000,5700
Color	red, green, blue, amber
Operating Range	8-25VAC
Replaces	20W Halogen
CRI	85
IP	61
Chipset	CREE
Lamp Life (hours)	50,000
Warranty (years)	5



PART NUMBER: AR 1 1 2 XXXX XX

2200	RED	KELVIN/ COLOR
2700	GREEN	
3000 ^{or}	BLUE	15 30 60 BEAMSPREAD
5700	AMBER	

