

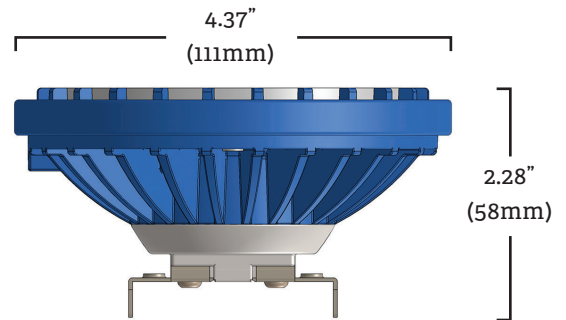
PAR - 36 12w Replaces 50w Halogen

Description:

The Brilliance LED PAR36 LED lamp has been redesigned to better fit into standard, low voltage, PAR36 fixtures. These LED's are thermally engineered to operate in enclosed fixtures, and they also feature our own enhanced ESD (Electro-Static Discharge) Protection (IEC-61000-4-2), as well as our own built-in Heat Overload Protection Technology which gives you added security by automatically cooling down (and reducing lumens output) only when exposed to extreme heat (air temperatures above 125°F). Best of all, there is no color shift when lumens output is reduced, and overall lamp life is improved. When extreme temperatures drop below 125°F, full lumens output will automatically resume.

Special Features:

- Enhanced ESD (Electro-Static Discharge) Protection
- Build-In Heat Overload Protection Technology
- UL Listed & FCC Compliant
- 2200, 2700, 3000 & 5700 Kelvin Temperature
- Red, Green, Blue & Amber Colors (6w + 9w only)
- 15°, 30° & 60° Beam Angles
- 6w Replaces 20w Halogen
- 9w Replaces 35w Halogen
- 12w Replaces 50w Halogen
- Max Current: 6w 1.0a | 9w: 1.5a | 12w: 2.0a
- 8-25 VAC
- IP68
- CRI: 85
- CREE Chipset
- 50,000 Hour Lamp Life
- Fully Potted PC Board
- Dimmable w/ Most Magnetic Transformers
- 5 Year Warranty
- Patent Pending



Lumen Output		
	2700k	5700k
6w	380	460
9w	550	720
12w	620	920

PART NUMBER: PAR36 X XXXX XX

2200	6 9 12	WATTAGE	KELVIN/COLOR	BEAMSPREAD
2700				
3000				
5700	15 = 15° 30 = 30° 60 = 60°			
RED				
GREEN				
BLUE				
AMBER				

